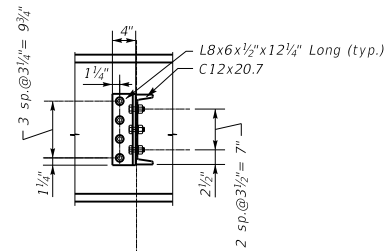
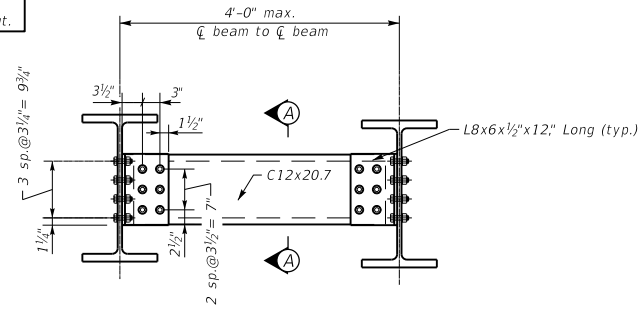


NOTE: Use $\frac{3}{4}$ " \circ Bolts with $\frac{13}{16}$ " \circ Holes Throughout.

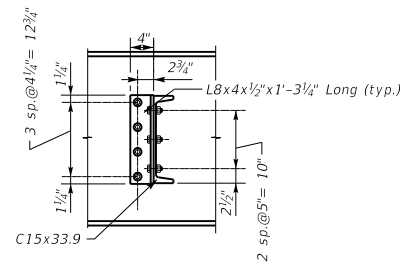


SECTION A-A

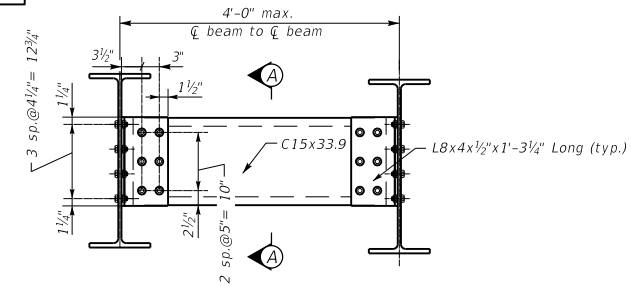


INTERMEDIATE DIAPHRAGM
(for up to 24" beam depth)

NOTE: Use $\frac{3}{4}$ " \circ Bolts with $\frac{13}{16}$ " \circ Holes Throughout.

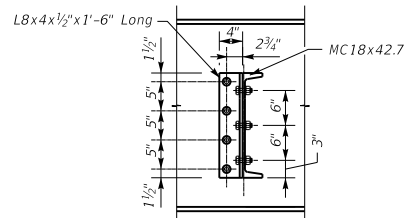


SECTION A-A

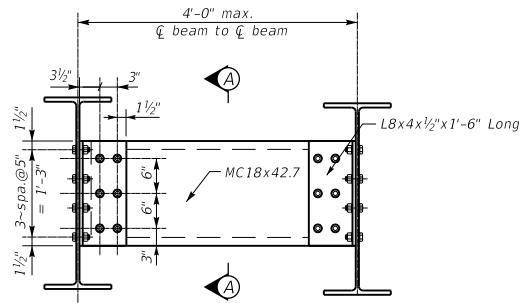


INTERMEDIATE DIAPHRAGM
(for up to 30" beam depth)

NOTE: Use $\frac{3}{4}$ " \circ Bolts with $\frac{13}{16}$ " \circ Holes Throughout.



SECTION A-A



INTERMEDIATE DIAPHRAGM
(for up to 36" beam depth)

KENTUCKY
DEPARTMENT OF HIGHWAYS

ROLLED STEEL
DIAPHRAGM
DETAILS

STANDARD DRAWING NO. BSB-005

SUBMITTED *Bob Adams* 02-26-20
DATE DIRECTOR DIVISION OF STRUCTURAL DESIGN

APPROVED *[Signature]* 02-26-20
DATE STATE REGISTERED ENGINEER